

Ancon Building Products

President Way
President Park
Sheffield
South Yorkshire S4 7UR
Tel: 0114 2755224 Fax: 0114 2381240
e-mail: info@ancon.co.uk
website: www.ancon.co.uk



Agrément Certificate
16/5300
Product Sheet 1

ANCON PRODUCTS FOR STRUCTURAL CONCRETE

ANCON (MBT) ET-TYPE COUPLERS

This Agrément Certificate Product Sheet⁽¹⁾ relates to Ancon (MBT) ET-Type Couplers, for mechanical connection of straight deformed high-yield carbon steel bars (grade 500) used for the reinforcement of concrete. The jointed bars can be subjected to shear, compressive or tensile actions.

(1) Hereinafter referred to as 'Certificate'.

CERTIFICATION INCLUDES:

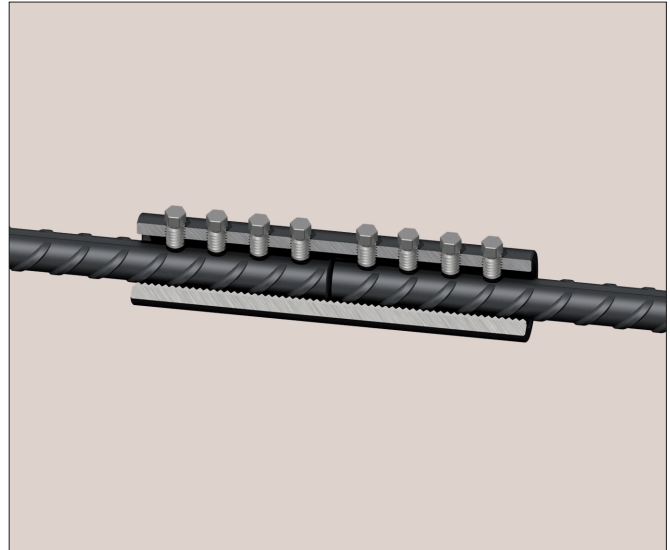
- factors relating to compliance with Building Regulations where applicable
- factors relating to additional non-regulatory information where applicable
- independently verified technical specification
- assessment criteria and technical investigations
- design considerations
- installation guidance
- regular surveillance of production
- formal three-yearly review.

KEY FACTORS ASSESSED

Practicability of installation — the couplers are to be installed by competent personnel in accordance with the Certificate holder's installation instructions (see section 5).

Mechanical properties — the couplers have a strength of 100% of the bar being joined and have adequate fatigue strength in buildings in accordance with BS EN 1992-1-1 : 2004 (see section 6).

Durability — under normal service conditions and protected by minimum concrete cover, coupled reinforcing bars can achieve a service life of at least 60 years (see section 8).



The BBA has awarded this Certificate to the company named above for the products described herein. These products have been assessed by the BBA as being fit for their intended use provided they are installed, used and maintained as set out in this Certificate.

On behalf of the British Board of Agrément

Date of First issue: 29 March 2016

Simon Wroe
Head of Approvals — Engineering

Claire Curtis-Thomas
Chief Executive

The BBA is a UKAS accredited certification body — Number 113. The schedule of the current scope of accreditation for product certification is available in pdf format via the UKAS link on the BBA website at www.bbacerts.co.uk

Readers are advised to check the validity and latest issue number of this Agrément Certificate by either referring to the BBA website or contacting the BBA direct.

British Board of Agrément
Bucknalls Lane
Watford
Herts WD25 9BA

tel: 01923 665300
fax: 01923 665301
clientservices@bba.star.co.uk
www.bbacerts.co.uk

©2016

Regulations

In the opinion of the BBA, Ancon (MBT) ET-Type Couplers, if installed, used and maintained in accordance with this Certificate, can satisfy or contribute to satisfying the relevant requirements of the following Building Regulations (the presence of a UK map indicates that the subject is related to the Building Regulations in the region or regions of the UK depicted):



The Building Regulations 2010 (England and Wales) (as amended)

Requirement:	A1	Loading
Comment:		The products have sufficient strength and stiffness to sustain the design loads in accordance with sections 6.1 and 6.2 of this Certificate.
Regulation:	7	Materials and workmanship
Comment:		The products are acceptable. See section 8 and the <i>Installation</i> part of this Certificate.



The Building (Scotland) Regulations 2004 (as amended)

Regulation:	8(1)	Durability, workmanship and fitness of materials
Comment:		The products are acceptable. See section 8 and the <i>Installation</i> part of this Certificate.
Regulation:	9	Building standards applicable to construction
Standard:	1.1(a)(b)	Structure
Comment:		The products will have sufficient strength and stiffness to transmit the design load, with reference to clause 1.1.1 ⁽¹⁾⁽²⁾ , in accordance with sections 6.1 and 6.2 of this Certificate.
Standard:	7.1(a)(b)	Statement of sustainability
Comment:		The products can contribute to satisfying the relevant requirements of Regulation 9, Standards 1 to 6, and therefore will contribute to a construction meeting a bronze level of sustainability as defined in this Standard. See sections 6.1 and 6.2 of this Certificate. (1) Technical Handbook (Domestic). (2) Technical Handbook (Non-Domestic).



The Building Regulations (Northern Ireland) 2012 (as amended)

Regulation:	23	Fitness of materials and workmanship
Comment:		The products are acceptable. See section 8 and the <i>Installation</i> part of this Certificate.
Regulation:	30	Stability
Comment:		The products have sufficient strength and stiffness to sustain the design loads in accordance with sections 6.1 and 6.2 of this Certificate.

Construction (Design and Management) Regulations 2015

Construction (Design and Management) Regulations (Northern Ireland) 2007

Information in this Certificate may assist the client, Principal Designer/CDM co-ordinator, designer and contractors to address their obligations under these Regulations.

See sections: 3 *Delivery and site handling* and 5 *Practicability of installation* of this Certificate.

Technical Specification

1 Description

1.1 Ancon (MBT) ET-Type Couplers are used for joining straight deformed high-yield carbon steel reinforcing bars (grade 500) in accordance with BS 4449 : 2005.

1.2 The couplers comprise:

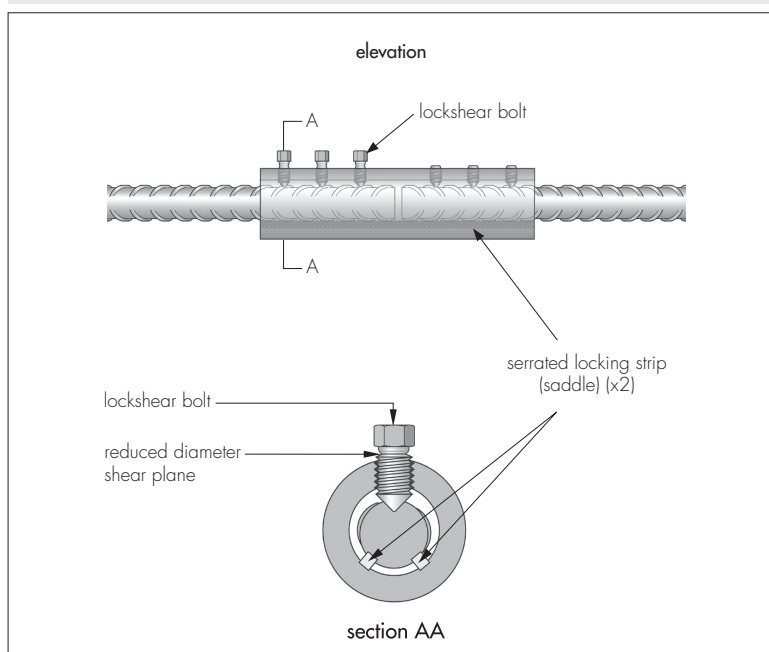
- steel sleeve — manufactured from hot-rolled, seamless steel tubing. Each sleeve is drilled and tapped for the appropriate number of bolts (see Table 1). Saddles (high-tensile steel strips with serrated faces) are TIG welded at the saddle ends, two saddles per sleeve. Sleeves can also be supplied with a centre stop, fixed in position to provide accurate location of the coupler on the reinforcing bars
- lockshear bolts — steel bolts, incorporating hexagonal heads and reduced diameter shank shear planes and conical ends (see Figure 1)
- centre stop pin (optional feature) — for bar location.

Table 1 Coupler specification

Coupler reference	Nominal bar diameter (mm)	Coupler outside diameter (mm)	Overall length (mm)	Approximate weight (including bolts) (kg)	No of bolts per sleeve	Minimum failure load 115% C _v ⁽¹⁾ (kN)
ET10	10	33.4	100	0.52	4	45.1
ET12	12	33.4	140	0.71	6	65.0
ET16	16	42.2	160	1.25	6	115.6
ET20	20	48.3	204	2.03	8	180.6
ET25	25	54.0	258	3.00	8	282.3
ET32	32	71.0	312	6.50	10	462.3
ET40	40	81.0	484	11.30	14	722.8

(1) Characteristic strength (C_v) is the value of yield stress below which not more than 5% of the test results fail, where tests are carried out in accordance with BS 4449 : 2005, Annex E. Characteristic strength for grade 500 deformed high yield steel is 500 N·mm⁻². For verification purposes, test specimen dimensions should comply with the Certificate holder's specifications.

Figure 1 Typical coupler



1.3 Assessed couplers, with dimensions and characteristics, are shown in Table 1 of this Certificate.

Locking mechanism

1.4 The couplers are designed so that, as bolts are tightened, they penetrate the reinforcing bar, simultaneously forcing the bar into the serrated surface of the two saddle strips (see Figure 1).

1.5 The bolt shank diameter is reduced to ensure that bolt heads will shear off at a predetermined torque. At this torque, the required bite depth, and thus the required resistance to axial pull-out, are achieved.

2 Manufacture

2.1 Materials used in the manufacture of the couplers are listed in Table 2.

Table 2 Material specification

Component	Specification (minimum values)
Sleeve tube	Ultimate tensile strength 600 N·mm ⁻² , elongation 18%
Bolt	Tensile strength 525 N·mm ⁻²
Saddle	Tensile strength 700 N·mm ⁻²

2.2 The coupler consists of three components: tube, serrated saddles and lockshear bolts.

- tube — normally, tube is supplied to the coupler length; this is then drilled and tapped to receive the lockshear bolts
- saddles — the saddle blanks, upon completion of heat treatment, are machined to form the serrations
- bolts — the bolts are manufactured from hexagonal bar and, upon completion of machining, the points are hardened by heat treatment.

2.3 As part of the assessment and ongoing surveillance of product quality, the BBA has:

- agreed with the manufacturer the quality control procedures and product testing to be undertaken
- assessed and agreed the quality control operated over batches of incoming materials
- monitored the production process and verified that it is in accordance with the documented process
- evaluated the process for management of nonconformities
- checked that equipment has been properly tested and calibrated
- undertaken to carry out the above measures on a regular basis through a surveillance process, to verify that the specifications and quality control operated by the manufacturer are being maintained.

2.4 The management system of Ancon Building Products has been assessed and registered as meeting the requirements of BS EN ISO 9001 : 2008 by BSI (Certificate FM 12226).

3 Delivery and site handling

3.1 Couplers complete with bolts and installation instructions are supplied in polythene bags. The coupler type and batch number (eg ET32 667M) are recorded on the installation instructions. Each coupler sleeve is also hard stamped on the outside, at one end, with the same information.

3.2 Couplers must not be removed from packaging until ready for use, and should not be left exposed to the effects of atmospheric corrosion prior to assembly.

3.3 The bolts supplied with each coupler are specifically for use with that coupler and, therefore, it is critical that only the bolts supplied with the couplers are used to join the reinforcing bars. Should bolts be lost, correct replacement bolts should be obtained only from the Certificate holder.

3.4 If any element of a completed joint is to be exposed to conditions in which corrosion might occur, both ends of the coupler must be sealed by tape. Similarly, if there is a risk of ice forming within the coupler sleeve, this same precaution must be taken to prevent water retention within the joint.

3.5 ET32 and ET 40 couplers weigh 6.5 kg and 11.3 kg respectively; due care should be exercised when lifting these and handling all couplers.

Assessment and Technical Investigations

The following is a summary of the assessment and technical investigations carried out on Ancon (MBT) ET-Type Couplers.

Design Considerations

4 General

4.1 Ancon (MBT) ET-Type Couplers are satisfactory for joining straight reinforcing bars in accordance with BS 4449 : 2005, in reinforced concrete structures designed in accordance with BS EN 1992-1-1 : 2004.

4.2 The completed joints are for use in locations where they will be subject to shear, compressive or tensile actions.

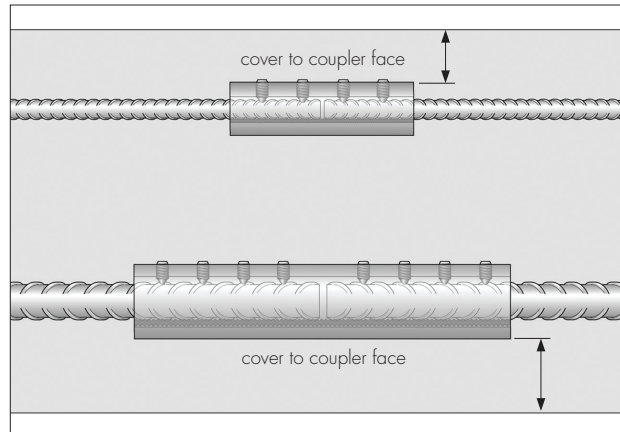
4.3 The design of any building structure incorporating these couplers must be carried out by a suitably qualified engineer in accordance with the requirements of the specifier.

4.4 Concrete cover (ie the distance from the sleeve face to the nearest concrete surface) must be provided in accordance with BS EN 1992-2 : 2005 or BS 8110-2 : 1985.

4.5 When detailing, particular care must be taken to ensure that:

- the required nominal concrete cover is provided to the sleeve (see Figure 2). It may not always be possible to achieve the cover requirements and, in such instances and at the discretion of the engineer responsible for the design, a coated protection may be applied to the tube to cater for reduced cover situations
- there is adequate spacing of the reinforcement in the splice area for the penetration of the concrete and for tightening the bolts; spacing between the coupler and the adjacent bar should be in accordance with BS EN 1992-2 : 2005 or BS 8110-2 : 1985
- where possible, joints should be positioned away from points of high stress
- the positions of adjacent splices are staggered. It may not always be practical to stagger couplers, however, by taking into account the location and design stresses in the coupler, the requirement to stagger the couplers may be waived by the responsible design engineer.

Figure 2 Cover detail



5 Practicability of installation


5.1 The coupler is designed to be installed by a competent general builder, or a contractor experienced with this type of product.

5.2 Installation of the couplers must be carried out strictly in accordance with the Certificate holder's instructions and this Certificate.

5.3 Adequate site supervision must be provided to ensure that couplers are installed correctly.

6 Mechanical properties

Tensile strength

 6.1 Tensile tests on assembled joints indicate that the couplers specified in Table 1 of this Certificate will satisfy the test requirement set by BS 8597 : 2015 and, therefore, can be considered to have a strength of 100% of the coupled bars.

6.2 Tests carried out in accordance with BS 8597 : 2015 indicate that couplers can be used in structures designed for fatigue in accordance with BS EN 1992 -1 : 2004.


Crack widths

6.3 Tests carried out on concrete beams reinforced with reinforcing bars, joined using the couplers indicate that the crack widths measured are comparable with those of concrete beams with continuous reinforcement.

7 Maintenance

Once embedded in concrete, maintenance of the coupler and joined steel reinforcing bar is not required.

8 Durability

 The couplers will not adversely affect the durability of the reinforced concrete member, provided good quality concrete is used with adequate cover to the coupler, and the crack width criteria of BS EN 1992-2 : 2005 or BS 8110-2 : 1985 are satisfied.

9 Reuse and recyclability

On demolition, the product can be salvaged for recycling.

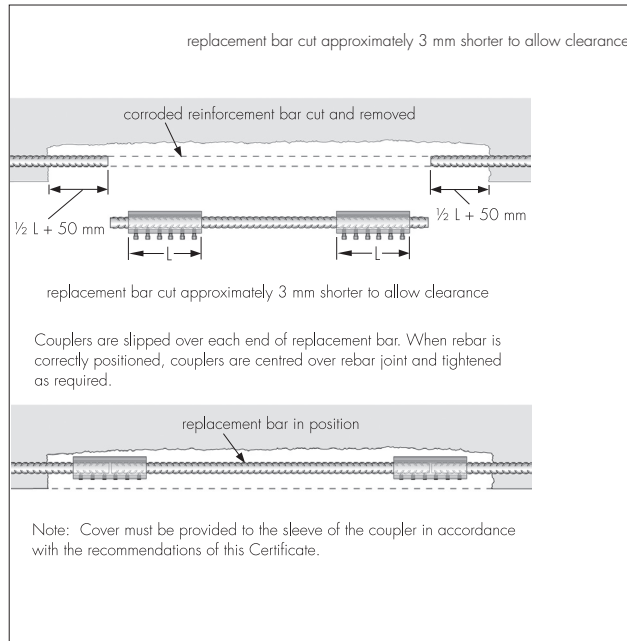
Installation

10 General

10.1 Installation of Ancon (MBT) ET-Type Couplers must be carried out strictly in accordance with the Certificate holder's instructions and this Certificate.

10.2 A typical installation is shown in Figure 3.

Figure 3 Typical installation



10.3 The ends of steel reinforcing bars to be coupled should be cut or sheared to normal practice. The surface condition of the bars should be in compliance with BS 4449 : 2005.

10.4 The sleeve must be centrally located over the point of contact between the reinforcing bars.

10.5 Care must be taken when inserting reinforcing bars into the coupler sleeve, as excess force may result in loss of or displacement of the serrated saddles and will compromise the connection efficiency.

11 Procedure

11.1 The coupler should be placed over the end of the fixed bar to a distance of a half coupler length [$\pm 6 \text{ mm}$ or until centre pin (where supplied) butts against bar end]. The bolts are finger-tightened into the sleeve and alignment checked and adjusted if necessary (see Figure 4).

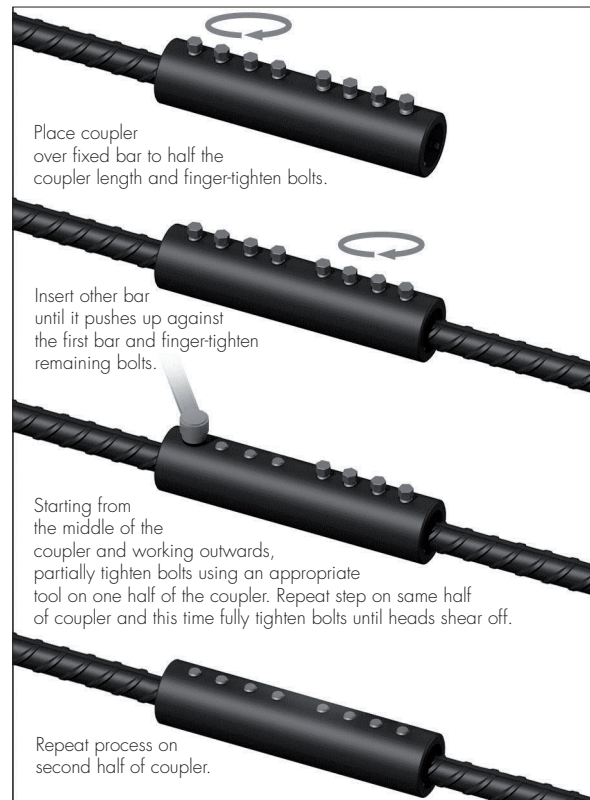
11.2 The second bar end is placed into the coupler until it butts against the fixed bar or coupler centre pin (where supplied), and the remaining bolts are secured finger-tight in position, again checking for alignment (see Figure 4).

11.3 On one half of the coupler, starting from the centre and working outwards to the end, all of the lockshear bolts are partially tightened by hand.

11.4 Step 11.3 is repeated, again starting from the centre of the coupler and working towards the end of the coupler. All of the lockshear bolts are fully tightened using a hand ratchet, or pneumatic or electric wrench, until the bolts shear off. Sheared bolt heads will vary between being approximately flush with the surface of the coupler and projecting up to 4 mm, depending on the coupler size, and bolt location versus rebar rib location.

11.5 Steps 11.3 and 11.4 are then completed for the other half of the coupler.

Figure 4 Installation procedure



11.6 Care must be taken to ensure excess water does not remain within the coupler prior to completion of the joint.

11.7 Where the target slump of the concrete is less than 100 mm, the ends of the coupler should be filled with cement grout prior to casting to prevent ingress of water.

Technical Investigations

12 Tests

12.1 Tests were carried out and the results assessed to determine:

- dimensional accuracy
- tensile strength of joints
- practicability of installation
- permanent deformation after loading to 0.65 times the specified reinforcement characteristic strength (R_e) and unloading to zero
- bolt shearing torque
- fatigue performance of the couplers when subjected to axial stress in air
- fatigue performance of concrete beams with reinforcing bars joined by the couplers.

12.2 An evaluation was made relating to:

- stress/strain relationships
- cyclic tensile tests
- strength under compressive loading
- durability
- contamination of joints
- effect of creep
- performance of the loaded coupler under increased temperature conditions.

13 Investigations

13.1 The manufacturing process was evaluated, including the methods adopted for quality control, and the quality and composition of the metals used were assessed.

13.2 A site visit was carried out to evaluate the practicability of installation.

13.3 An assessment was made of the Certificate holder's installation instructions.

13.4 Technical data were assessed concerning the behaviour of the couplers under increased temperature.

Bibliography

BS 4449 : 2005 *Steel for the reinforcement of concrete — Weldable reinforcing steel — Bar, coil and decoiled product — Specification*

BS 8110-2 : 1985 *Structural use of concrete — Code of practice for special circumstances*

BS 8597 : 2015 *Steels for the reinforcement of concrete — Reinforcement couplers — Requirements and test methods*

BS EN 1992-1-1 : 2004 *Eurocode 2 : Design of concrete structures — General rules and rules for buildings*

BS EN 1992-2 : 2005 *Eurocode 2 : Design of concrete structures — Concrete bridges — Design and detailing rules*

BS EN ISO 9001 : 2008 *Quality management systems — Requirements*

Conditions of Certification

14 Conditions

14.1 This Certificate:

- relates only to the product/system that is named and described on the front page
- is issued only to the company, firm, organisation or person named on the front page — no other company, firm, organisation or person may hold or claim that this Certificate has been issued to them
- is valid only within the UK
- has to be read, considered and used as a whole document — it may be misleading and will be incomplete to be selective
- is copyright of the BBA
- is subject to English Law.

14.2 Publications, documents, specifications, legislation, regulations, standards and the like referenced in this Certificate are those that were current and/or deemed relevant by the BBA at the date of issue or reissue of this Certificate.

14.3 This Certificate will remain valid for an unlimited period provided that the product/system and its manufacture and/or fabrication, including all related and relevant parts and processes thereof:

- are maintained at or above the levels which have been assessed and found to be satisfactory by the BBA
- continue to be checked as and when deemed appropriate by the BBA under arrangements that it will determine
- are reviewed by the BBA as and when it considers appropriate.

14.4 The BBA has used due skill, care and diligence in preparing this Certificate, but no warranty is provided.

14.5 In issuing this Certificate, the BBA is not responsible and is excluded from any liability to any company, firm, organisation or person, for any matters arising directly or indirectly from:

- the presence or absence of any patent, intellectual property or similar rights subsisting in the product/system or any other product/system
- the right of the Certificate holder to manufacture, supply, install, maintain or market the product/system
- actual installations of the product/system, including their nature, design, methods, performance, workmanship and maintenance
- any works and constructions in which the product/system is installed, including their nature, design, methods, performance, workmanship and maintenance
- any loss or damage, including personal injury, howsoever caused by the product/system, including its manufacture, supply, installation, use, maintenance and removal
- any claims by the manufacturer relating to CE marking.

14.6 Any information relating to the manufacture, supply, installation, use, maintenance and removal of this product/system which is contained or referred to in this Certificate is the minimum required to be met when the product/system is manufactured, supplied, installed, used, maintained and removed. It does not purport in any way to restate the requirements of the Health and Safety at Work etc. Act 1974, or of any other statutory, common law or other duty which may exist at the date of issue or reissue of this Certificate; nor is conformity with such information to be taken as satisfying the requirements of the 1974 Act or of any statutory, common law or other duty of care.